

TRVERSE UNIT



SOHO MACHINERY FACTORY

PROFESSIONAL & TIMELY DELIVERY

*The first brand **Rolling Ring Drive** in China*



SOHO MACHINERY FACTORY

ROLLING RING DRIVE

OKA



OKA Type 4 (General)



OKA Type 5 (4 Rolling Rings)



OKA Type 2 (Iron Case)

OKB



OKB Type I (Guide Wheel)



OKB Type II (Three Rollers)



OKB Type III (Four Rollers)

OKC



OKC20-4I (OKA20 Type 4)



OKC20-4II (OKA20 Type 4)



OKC20-2III (OKA20 Type 2)

SPARE



Special Bearing



Threadless Shaft



Reversal Mechanism

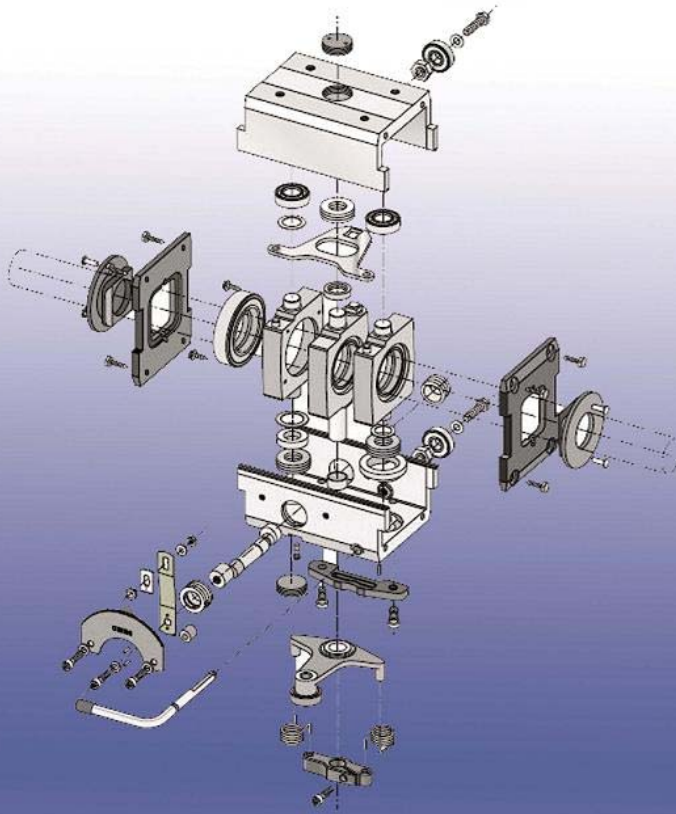
OrientKnight series rolling ring drives are divided into six types: 15, 20, 30, 40, 50 and 60. Each of which can be labeled as OKA, OKB and OKC based on the accompanying accessories.

ABOUT US

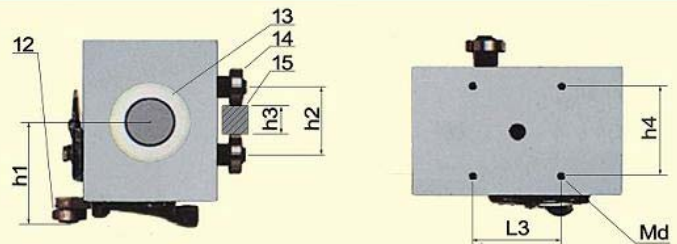
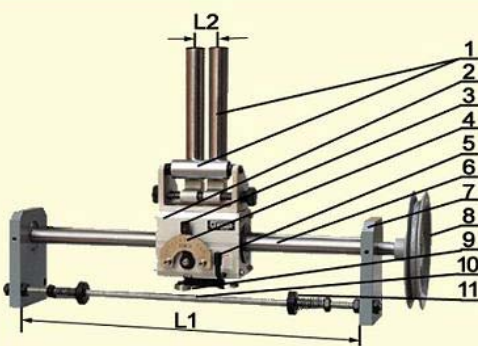
SOHO Machinery Factory is a professional manufacturer which specializes in making rolling ring drives in China.

OrientKnight has been the famous brand in China since 1985 when SOHO Machinery Factory invented the first rolling ring drive, and its brand product has been sold abroad. Continuously renewed and updated, the third generation products of aluminium alloy with the craftsmanship and technology introduced from Germany deliver superior performances.

STRUCTURE



Parts Name



1. Guide Roller 2. Mounting Surface 3. Point 4. Pitch Selection Scale
5. Free-movement Lever 6. Shaft 7. Bearing Block 8. Belt Pulley
9. Reversal Mechanism 10. Rail 11. Adjustable End Stop 12. Roller of Reversal Mechanism 13. Dust ring 14. Roller of Steady Bar 15. Steady Bar

DIMENSIONS AND TECHNICAL DETAILS

| TYPE | MOUNTING SURFACE | L1(mm) DEFAULT | L2(mm) | L3(mm) | h1(mm) | h2(mm) | h3(mm) | h4(mm) | Md(mm) | PITCH(mm) | THRUST(N) |
|--------|------------------|----------------|--------|--------|--------|--------|--------|--------|--------|-----------|-----------|
| OK15-4 | 92x56x70 | 400 | | 50 | 51 | 38 | 16 | 36 | 4-M6 | 0.01-11 | 100 |
| OK20-4 | 111x68x85 | 450 | 20-60 | 60 | 60 | 40 | 18 | 40 | 4-M6 | 0.01-16 | 160 |
| OK20-5 | 132x68x85 | 450 | 20-60 | 60 | 60 | 40 | 18 | 40 | 4-M6 | 0.01-16 | 320 |
| OK30-4 | 130x85x105 | 500 | 30-70 | 70 | 70 | 46 | 20 | 64 | 4-M6 | 0.1-25 | 260 |
| OK30-5 | 162x85x105 | 500 | 30-70 | 70 | 70 | 46 | 20 | 64 | 4-M6 | 0.1-25 | 520 |
| OK40-4 | 160x101x129 | 700 | 30-70 | 76 | 85 | 50 | 22 | 70 | 4-M8 | 0.5-32 | 420 |
| OK50-4 | 184x119x149 | 900 | 40-95 | 100 | 96 | 60 | 28 | 80 | 4-M8 | 1-40 | 700 |
| OK60-4 | 220x132x160 | 1200 | 40-120 | 100 | 101 | 60 | 28 | 80 | 4-M8 | 1.5-48 | 1000 |

The length of the threadless shaft can specially made if requested by the customer. You can find the standard length in the chart.

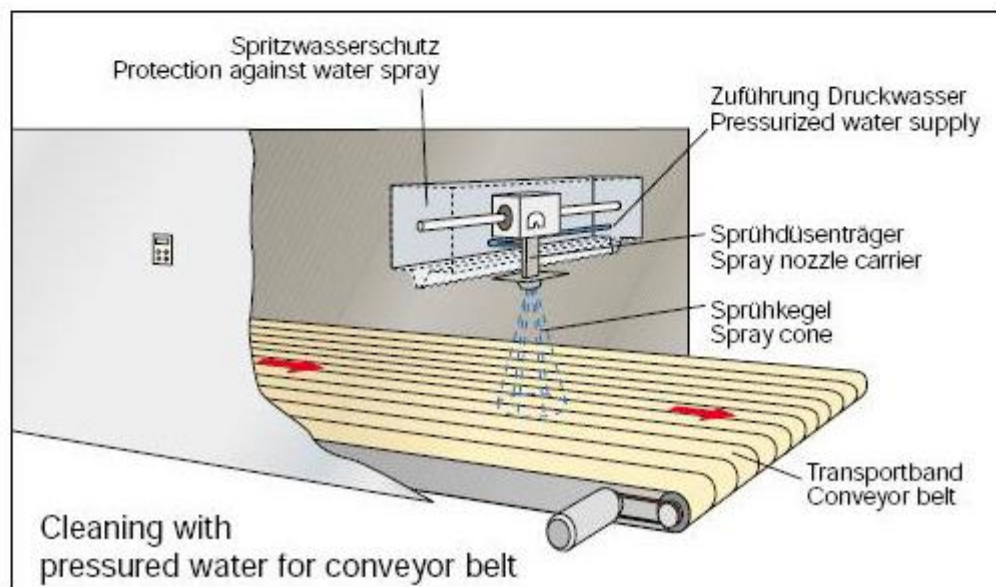
The formula of which is: $L1 = \text{the distance of reciprocating motion} + \text{the length of the rolling drive body} + 60$.

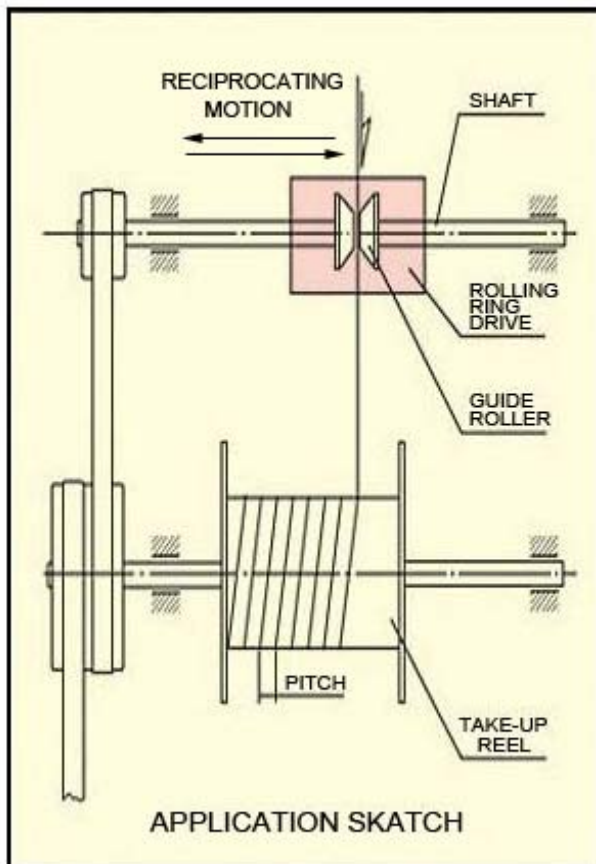
$h2$ and $h3$ is adjustable within a certain scope.

Applicational Area

Function

| Industrial Area | Function | | | | | | | | | | | | | | |
|-----------------------|----------|---------|--------------|-------------------|-----------------|-------------|----------|-----------------|----------|------------|---------|---------|-----------|---------|--------|
| | Coating | Feeding | Manipulating | Measuring/Testing | Opening/Closing | Positioning | Cleaning | Cutting/Parting | Spraying | Sequencing | Linking | Packing | Spreading | Winding | Mixing |
| Automation | | | | | | ● | | | | ● | ● | | | | |
| Automobile | ● | ● | ● | | | | | | | | | | | | |
| Baking Machinery | | | | | | | ● | | | | | | ● | | |
| Wire + Cable Industry | | | | ● | | | | | | | | | | ● | |
| Flat Glass/Mirrors | ● | | | | | | | ● | | | | | | | |
| Braiding Machinery | | | | | | | | | | | | | | ● | |
| Foil | | | | | | | ● | | | | | | | ● | |
| Hollow Glass Ware | | | | | | | | ● | | | | | | | |
| Varnishing | ● | | | | | | | ● | | | | | | | |
| Food Industry | | | | | | ● | ● | ● | | | ● | ● | | | |
| Paper/Cardboard | ● | | | ● | | | ● | | | | | | | | |
| Tyres | | | | ● | | | ● | | | | | | | ● | |
| Steel | | | | ● | | | | | | | | | | ● | |
| Textile | | | | | | | | ● | | | | | ● | ● | |
| Packaging | ● | | | | ● | ● | | | | ● | ● | ● | | ● | |
| Pharmacy | | | | | | | | | | | | | | | ● |





PRODUCT FEATURES

Stepless Speed regulation:

With no need to change the rotation speed of the shaft, just a push to the indicator on the scale dial will allow you to adjust the speed of reciprocating motion of traverse drive on the shaft so that requirement for the accurate regulation of the traverse pitch can be met.

Instantaneous Reversal:

With no need to change the shaft direction of rotation, the traverse drive will instantly move in the reverse direction when the reversal trigger roller snaps the (reversal) end stop.

Release Feature:

With no need to stop the rotation of the shaft, just a turning of the release lever for 90 degrees in the direction as the arrow indicates will stop the traverse drive from automatic movement, and the traverse drive can be pushed freely along the shaft.

High Traverse Speed:

The shaft speed of rotation can be up to 1000rpm, so it can meet the operational requirement for the high traverse speed and the frequent traverse.

SOHO MACHINERY FACTORY

ADD: 3-302, 168 Jiang Dong Nan Road, Nanjing 210019 China

TEL: 86-25-8643 2226 FAX: 86-25-8515 2282

WEB: <http://www.TraverseUnits.com>

E-mail: info@traverseunits.com Skype: jim.lan.ok